

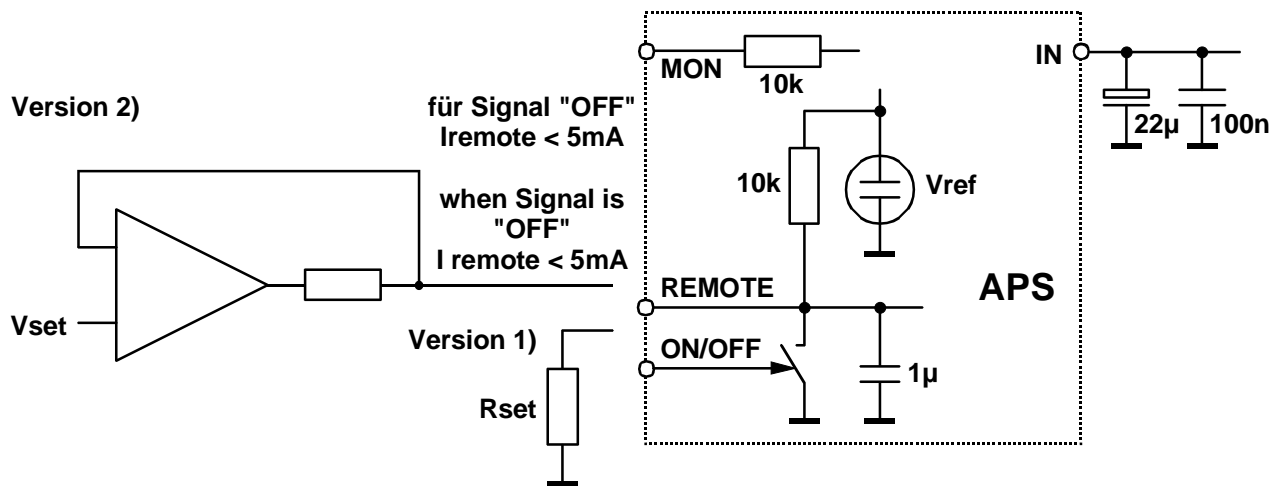
High Voltage Power Supply APS-series (0,2 W)

The APS-series offers small High Voltage Power Supplies as DC/DC-Converters RoHS compliant which can be mounted and soldered on PCB's. The Output Voltage range is up to 600 V and the Output Current up to 2 mA. The Output Voltage is controllable with either a potentiometer or an input analogue control voltage. The metal box and our patented resonance mode principle guarantees very low EMI.

Technical Data	Type	APx ¹ 01 205 5	APx ¹ 02 105 5	APx ¹ 03 604 5	APx ¹ 04 504 5	APx ¹ 05 404 5	APx ¹ 06 304 5
Nominal output voltage	¹ x = p:	+ 100	+ 200	+ 300	+ 400	+ 500	+ 600
V _{OUT n} [V]	¹ x = n:	- 100	- 200	- 300	- 400	- 500	- 600
Nominal output current I _{OUT n} [mA]		2	1	0,6	0,5	0,4	0,3
		internally limited to I _{OUT max} ca. (1,5 to 3) * I _{OUT n}					
Protection		Overload and short circuit					
Adjustment accuracy V _{OUT n}		± 1,5 %					
Ripple & noise		< 50 mV _{P-P} (no load and full load)					
Supply voltage V _{IN}		4,5 V to 5,5 V-DC Blocking circuit is recommended for ripple rejection to input line with 22 µF // 100 nF near pin IN					
Supply current I _{IN}		V _{OUT} = 0; I _{IN} < 3 mA V _{OUT} = V _{OUT n} ; no load; I _{IN} < 30 mA V _{OUT} = V _{OUT n} ; max. load; I _{IN} < 100 mA (V _{OUT n} > 200 V) I _{IN} < 140 mA (V _{OUT n} ≤ 200 V)					
Stability V _{OUT}		ΔV _{IN} : < 1 * 10 ⁻³ * V _{OUT max} no load to load: < 2 * 10 ⁻³ * V _{OUT max}					
Temp. coefficient		< 2 * 10 ⁻⁴ /K					
Control on REMOTE		1 st . with R _{SET} connected between REMOTE and GND R _{SET} = V _{OUT} * 10 kΩ / (V _{OUT n} - V _{OUT}) 2 nd . with V _{SET} 0 ≤ V _{SET} ≤ 2,5 V ⇒ 0 ≤ V _{OUT} ≤ V _{OUT n} Attention! When Signal is "OFF", I _{REMOTE} must not exceed 5mA ! Output voltage is internally not limited! At V _{SET} > 2,5 V ⇒ V _{OUT max} > V _{OUT n} is available. Do not use V _{SET} > 2,5 V!					
Monitor voltage V _{MON}		0 ≤ V _{OUT} ≤ V _{OUT n} ⇒ 0 ≤ V _{MON} ≤ 2,5 V					

Technical Data	Type	APx ¹ 01 205 5	APx ¹ 02 105 5	APx ¹ 03 604 5	APx ¹ 04 504 5	APx ¹ 05 404 5	APx ¹ 06 304 5
Signal OFF		ON: $V_{ON/OFF} = 0$ (LOW or open) $\Rightarrow V_{OUT}$ according setting OFF: $5,5 \text{ V} \geq V_{ON/OFF} > 2,5 \text{ V}$ (HIGH) $\Rightarrow V_{OUT} = 0!$					
Operating temperature		0 ... +40 °C					
Storage temperature		-20 ... +60 °C					

Control principle - APS



Case Steel cover, spilled and potted; L/W/H: (40/15/11) mm³

